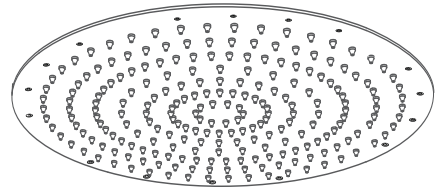
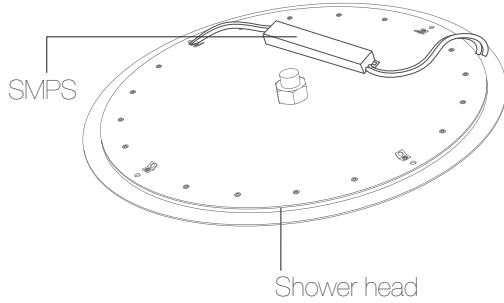


LED / ROUND
BUILT-IN
QUICK
GUIDE BOOK

LED Description

Check all the parts with the following parts list



Bracket

LRB310 / 420

LRB470



Bolt



Ring

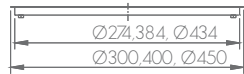
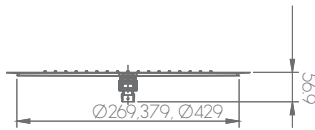


Wire

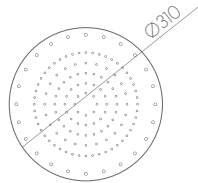
X3

X4

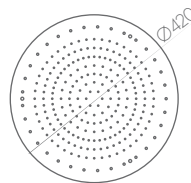
Dimension



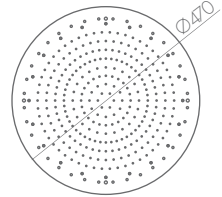
Side



LRB310.002.CR



LRB420.002.CR



LRB470.002.CR

LED&Round Built-in

• Code	LRB310.002.CR	LRB420.002.CR	LRB470.002.CR
• Size	Ø310 (12.2inch)	Ø420 (16.5inch)	Ø470(18.5inch)
• Finish	Cr painting		
• Origin	JoeyforLife/Korea		

LED Power supply

White Light

LED x 0.23W with 12V Power Supply (SMPS)
without Controller, connecting to AC 100-240V, 50-60Hz

Chromo therapy (RGB)

LED x 0.23W with 12V Power Supply (SMPS)
Including Controller, connecting to AC 100-240V, 50-60Hz

Color variation

Mono color(RGB)



>LED On/Off

Switch
Sensor by water pressure
Remote control

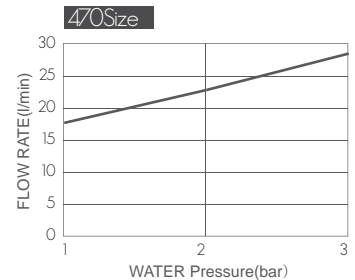
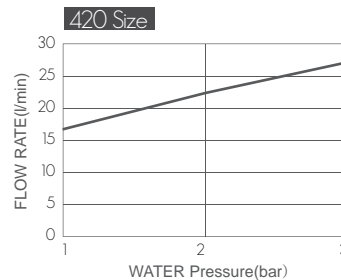
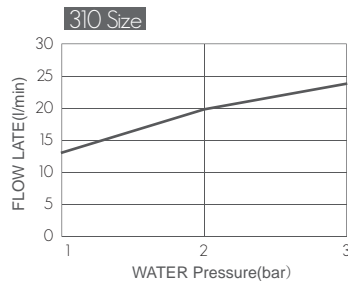
Chromo therapy



Flow Rate

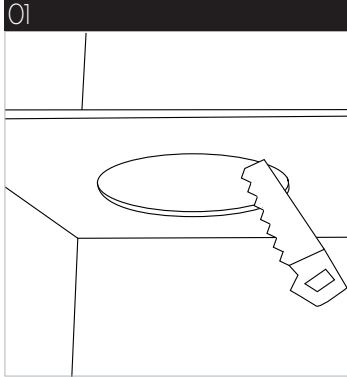
water pressure	310 round (l/min)	420 round (l/min)	470 round
1 bar	13.6	17.4	17.5
2 bar	20	22.5	22.9
3 bar	24	27	28.6

* Direct Connection Without tap

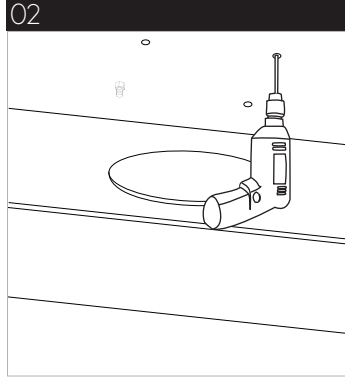


Installation

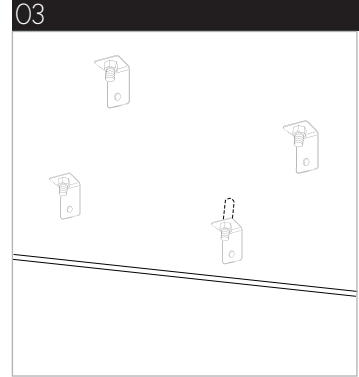
STEP1 _ Bracket



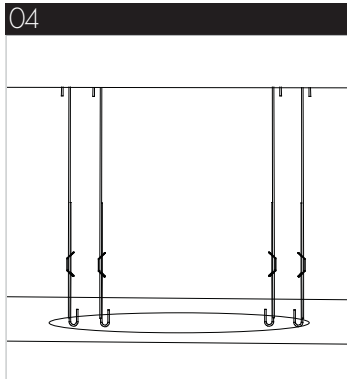
Cut the ceiling to install bracket.
-LRB310:Ø274~285
-LRB420:Ø384~400
-LRB470:Ø434~450



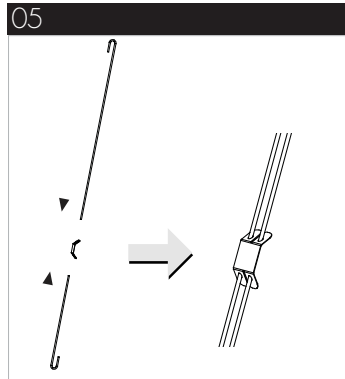
Drill the upper ceiling Ø12 for an anchor bolts
-LRB310: 3holes for triangle(216mm)
-LRB420: 3holes for triangle(300mm)
-LRB470: 4holes for square(280 mm)



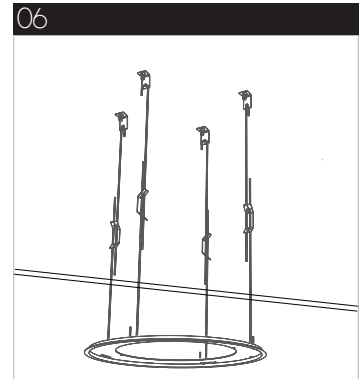
Insert the anchor bolts



Connect rings to the bolts



Adjust the lengths of rings

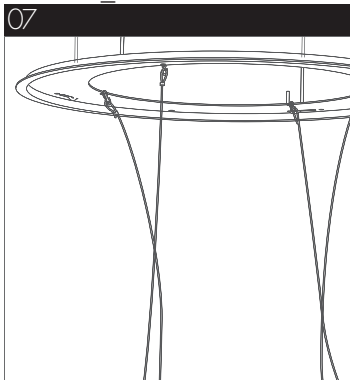


Hang the bracket to the rings

Installation2

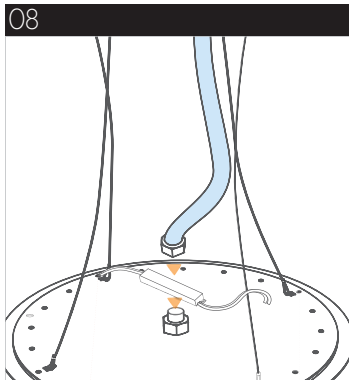
STEP2 _ Head Shower

07



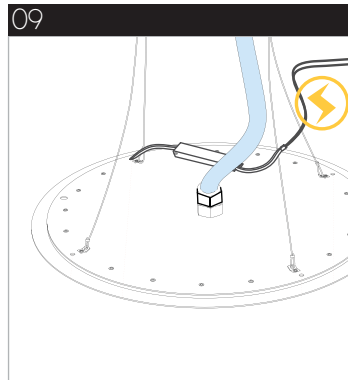
Hang 4wires to bracket

08



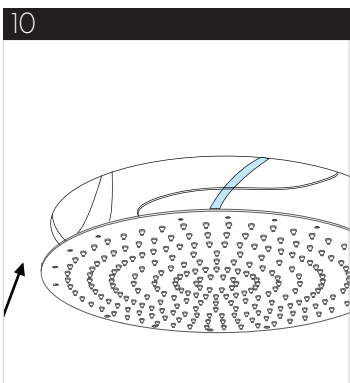
Connect water supply hose to the shower head

09



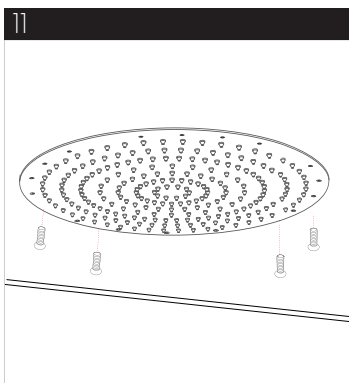
Connect the power supply

10



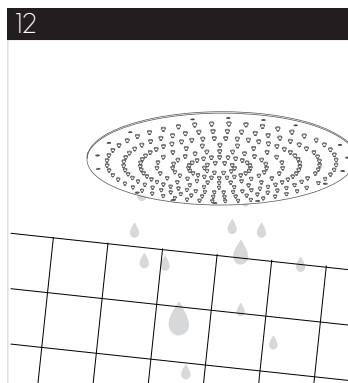
Push the shower head to the bracket

11



Fix the shower head with bolt

12



Shower

Remote controller

3. MIX COLOR SPEED DOWN

- Push  button to slow down mixing color



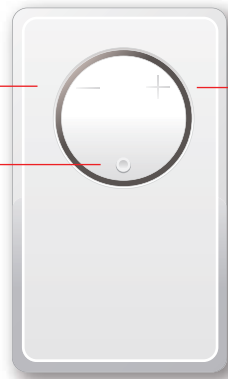
- Push Mix for changing mode to Chromo therapy
- The order of color

4. MIX COLOR SPEED UP

- Push  button to speed up mixing color



- Push Mix for changing mode to Chromo therapy
- The order of color



1. On/Off

- Push  button for about 2 seconds

2. Mono changing color(RGB)



WHITE BLUE GREEN YELLOW RED PINK PURPLE

- Push button to change color
- Counter clockwise color change

